

THIS DRAWING IS UNPUBLISHED. RELEASED FOR PUBLICATION
 © COPYRIGHT BY TYCO ELECTRONICS CORPORATION. ALL RIGHTS RESERVED.

LOC		DIST		REVISIONS			
P	LTR	DESCRIPTION	DATE	DWN	APVD		
0		REVISED PER 0G3B-0844-03	11/7/03	SS	SRV		

NOTES:

- △ MATERIAL: .032 THICK, BRASS, TEMPERED.
- △ FINISH: BRIGHT TIN PLATE.

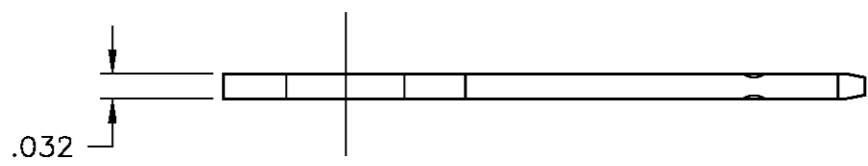
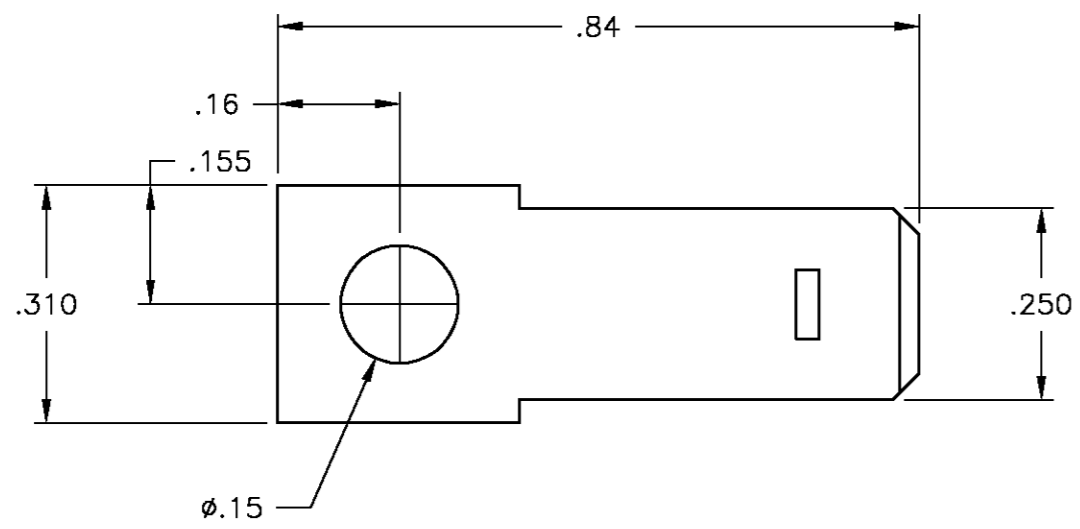


FIGURE 1

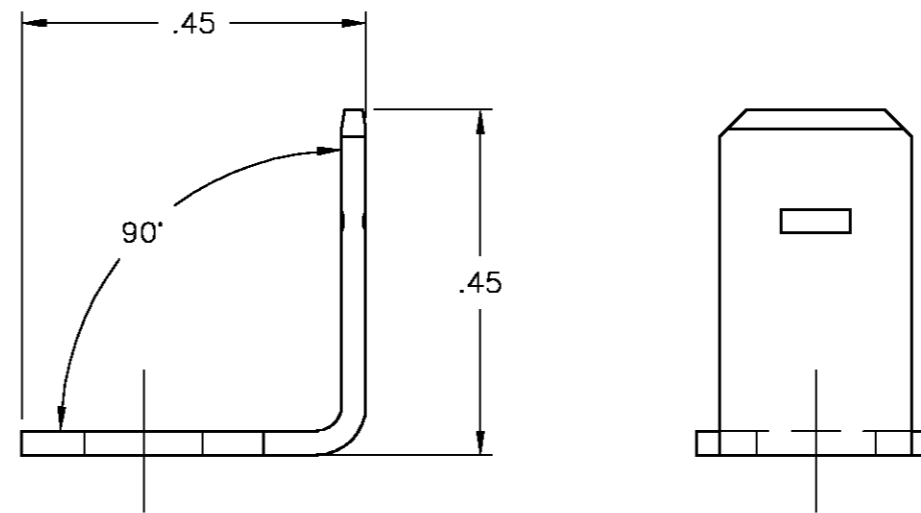
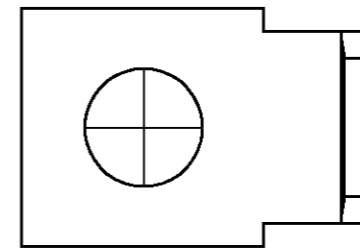


FIGURE 2

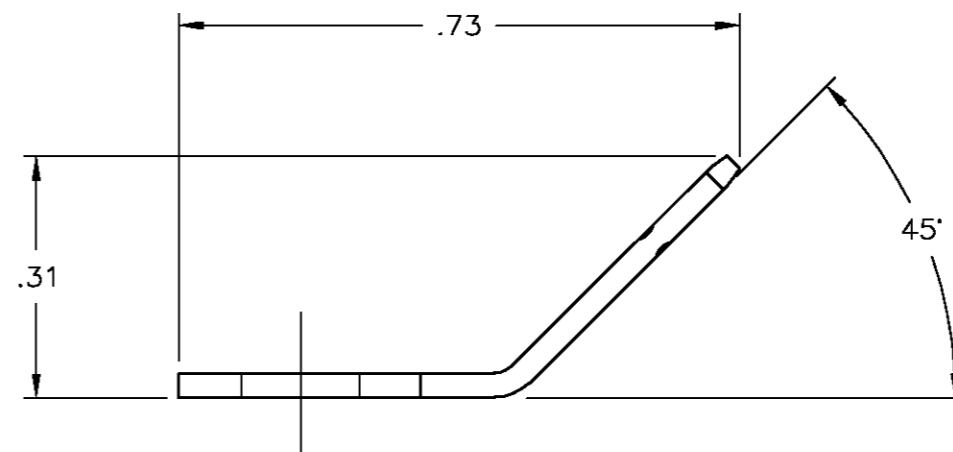
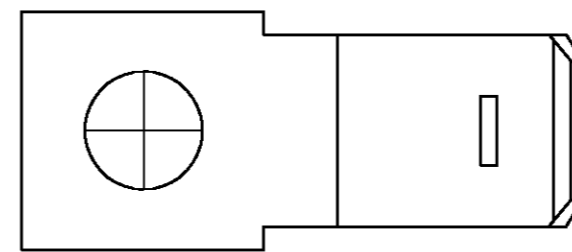


FIGURE 3

FIGURE	CATALOG NO.	PART NO.
FIGURE 3	QC6-45-4	6-1437644-4
FIGURE 2	QC6-90-4	6-1437644-6
FIGURE 1	QC6-180-4	5-1437644-9

THIS DRAWING IS A CONTROLLED DOCUMENT.		DWN	S SCHLEGEL	07NOV03	BUCHANAN Tyco Electronics Corporation Harrisburg, PA 17105 NAME 6 SERIES, .250 WIDE QC TABS		
DIMENSIONS: INCHES		CHK	S YODER	11/7/03			
TOLERANCES UNLESS OTHERWISE SPECIFIED:		APVD	S YODER	11/7/03			
0 PLC ± - 1 PLC ± - 2 PLC ± .01 3 PLC ± .005 4 PLC ± - ANGLES ± 1°		PRODUCT SPEC	-	APPLICATION SPEC			
MATERIAL	- △	FINISH	- △	WEIGHT	-	SIZE	A2
CUSTOMER DRAWING				CAGE CODE	00779	DRAWING NO	C=5-1437644-9
				SCALE	4:1	SHEET	1 OF 1
				REV	0		